

# KFC-W12

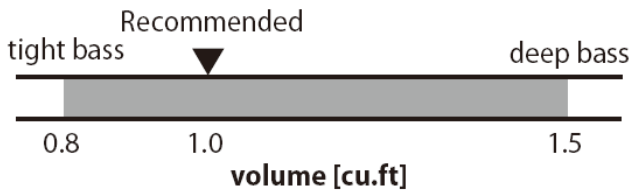
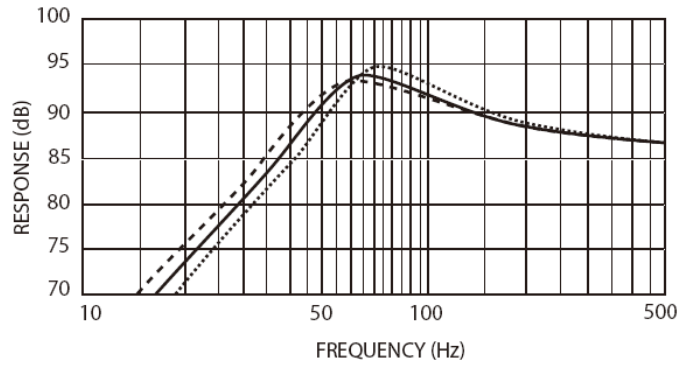
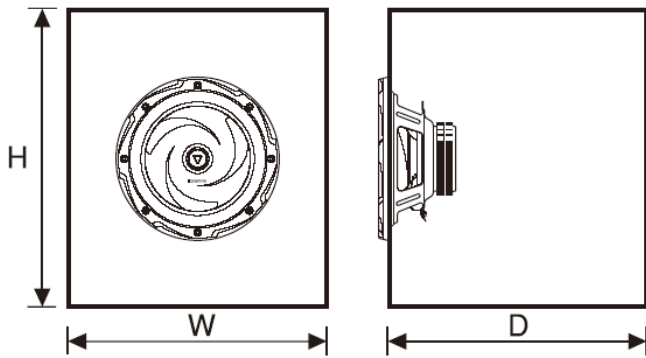
## Specifications

<b>Subwoofer</b>	300 mm (12") Pearl Mica Cone Type
<b>Nominal Impedance</b>	4 $\Omega$
<b>Peak Input Power</b>	1,000 W
<b>Rated Input Power</b>	200 W
<b>Sensitivity</b>	93 dB/W at 1 m
<b>Free Air Resonance</b>	32 Hz
<b>Frequency Response</b>	25-800 Hz
<b>Net Weight</b>	4,850 g

## Technical specifications

	SYMBOL	UNIT	VALUE
<b>Nominal Impedance</b>	Z	$\Omega$	4
<b>DC Resistance</b>	Revc	$\Omega$	4
<b>Voice Coil Inductance</b>	Levc	mH	3.75
<b>Piston Area</b>	Sd	sq.m	0.0491
<b>Force Factor</b>	BL	T·m	16.4
<b>Volume Acoustic Compliance</b>	Vas	liter	74.15
		cu.ft	2.617
<b>Moving Mass</b>	Mms	g	146.3
<b>Resonance Frequency</b>	Fs	Hz	28
<b>Mechanical Q Factor</b>	Qms		11.57
<b>Electrical Q Factor</b>	Qes		0.39
<b>Total Q Factor</b>	Qts		0.38
<b>Peak Power</b>		W	1000
<b>Peak Excursion</b>	Xmax	mm	8
<b>Displacement</b>		cc	4077
		cu.ft	0.144
<b>Mounting Depth</b>		mm (in.)	135 (5-5/16)
<b>Weight of Magnet</b>		g (oz)	1800 (63.4)
<b>Voice Coil Diameter</b>		mm (in.)	65 (2-9/16)

## SEALED

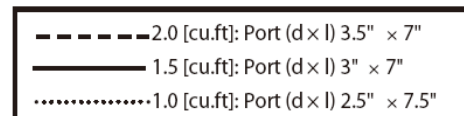
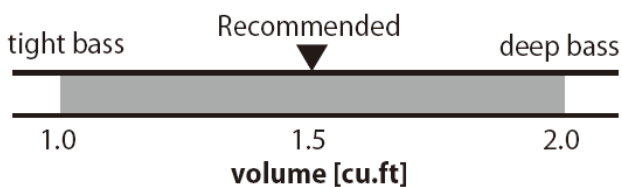
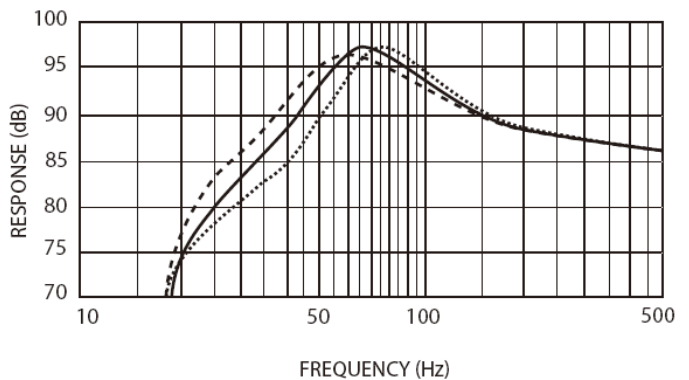
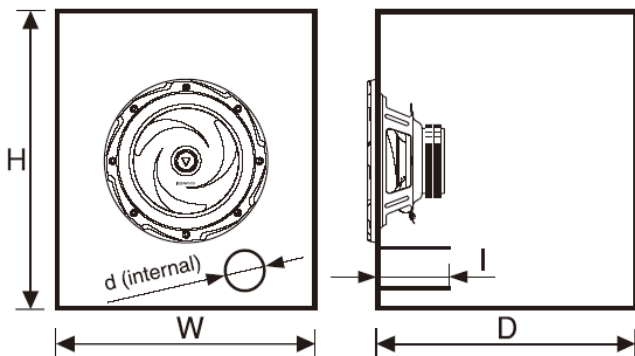


\* W, H, D : External Dimensions

Type	Inner Volume	W	H	D	Mounting Hole	Displacement
SEALED	1.0 cft (28.3 Liter)	375 mm (14-3/4")	360 mm (14-3/16")	350 mm (13-3/4")	277 mm (10-7/8")	0.144 cu.ft

Use 21 mm (3/4 inch) thick Medium Density Fiberboard (MDF) or High Density Particleboard.

## PORTED



\* W, H, D : External dimensions

Type	Inner Volume	W	H	D	Mounting Hole	Port Diameter d	Port Length l	Displacement
PORTED	1.5 cft (42.5 Liter)	380 mm (14-15/16")	505 mm (19-7/8")	340 mm (13-3/8")	277 mm (10-7/8")	76 mm (3")	178 mm (7")	0.144 cu.ft

Use 21 mm (3/4 inch) thick Medium Density Fiberboard (MDF) or High Density Particleboard.

# Dimensions / Dimensions / Dimensiones

